

SUITABLE ACCESSORIES FOR YOUR WELLNESS PROJECT

Humidification, Dehumidification and Evaporative Cooling





condair



25

Index

| | |
|-----------------------------------|-----------------|
| Steam hoses | Page..... 2 |
| Hoseclamps | Page..... 3 |
| Insulation hoses (EcoTherm) | Page 4 |
| Fragrance pump | Page 5 |
| Steam inlets | Page 6 |
| Fans | Page..... 7 |
| Regulator and Temperature sensors | Page..... 7 |
| Steambath control and displays | Page 8- 9 |
| Mounting sleeves and spots | Page ... 10- 11 |
| LED Controller | Page 12 |
| Push-button plates | Page 13 |
| Mounting material | Page ... 14- 15 |
| Water treatment | Page ... 16- 17 |

Steamhoses



Features of our steamhoses:

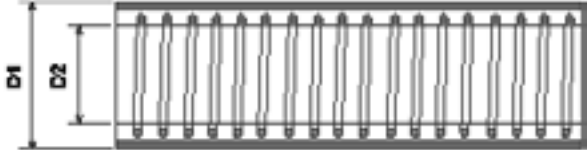
- High side pressure stability
- Odourless
- Hygienic
- Inner layer as per NSF61 (drinking water)
- Outer layer as per UL94V0 (flame resistant)
- Operating temperature-25°C to 105°C



| | Omega Pro | Omega | AT4D | Sigma |
|-----------|-----------|-------|----------|----------|
| 2 | – | DS60 | – | – |
| 4 | – | DS60 | – | DS22 |
| 5 | DS80 | – | DS22 | DS22 |
| 6 | – | DS60 | – | – |
| 8 | DS80 | DS60 | DS22 | DS22 |
| 10 | DS80 | – | – | – |
| 12 | – | DS80 | – | – |
| 15 | – | – | DS35 | DS35 |
| 16 | DS80 | DS80 | – | – |
| 20 | DS80 | DS80 | – | – |
| 23 | – | – | DS35 | DS35 |
| 24 | DS80 | – | – | – |
| 30 | DS80 | – | – | – |
| 32 | – | – | DS35 | DS35 |
| 40 | DS80 | – | – | – |
| 45 | – | – | 2 x DS35 | 2 x DS35 |
| 65 | – | – | 2 x DS35 | 2 x DS35 |

Capacity kg/h

Hoseclamps for steamhoses



Construction of steam hose (cross section)

| Art.-No. | Type | Inner-diameter D2 | Outer-diameter D1 | Roll length | Order information |
|----------|------|-------------------|-------------------|-------------|--------------------------|
| 2586148 | DS22 | 22.0 mm | 31.0 mm | 20 m | Complete roll only |
| 2586142* | | | | 100 m | By the meter, up to 19 m |
| 2586149 | DS60 | 29.5 mm | 40.0 mm | 20 m | Complete roll only |
| 2586144* | | | | 100 m | By the meter, up to 19 m |
| 2586150 | DS35 | 35.0 mm | 46.0 mm | 20 m | Complete roll only |
| 2586145* | | | | 80 m | By the meter, up to 19 m |
| 2586152 | DS80 | 43.5 mm | 55.5 mm | 20 m | Complete roll only |
| 2586147* | | | | 60 m | By the meter, up to 19 m |



Matching hoseclamp to DS22

Art.-No. 1100432: Includes 2 pcs. of hoseclamps

Matching hoseclamp to DS60

Art.-No. 2591276: Includes 2 pcs. of hoseclamps

Matching hoseclamp to DS35

Art.-No. 2539583: Includes 2 pcs. of hoseclamps

Art.-No. 2539584: Includes 10 pcs. of hoseclamps

Matching hoseclamp to DS80

Art.-No. 2538898: Includes 2 pcs. of hoseclamps

Art.-No. 2538899: Includes 10 pcs. of hoseclamps

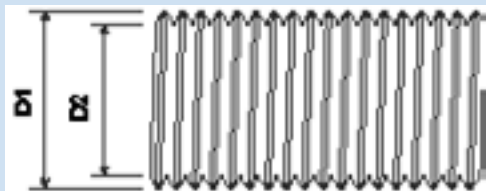
Insulation hose EcoTherm



Good to know:

The insulation hose forms an air cushion around the steam hose and thus has a heat-insulating function, which reduces the formation of condensation in the steam hose. Therefore, in addition to the insulation hose, an O-ring is required for sealing.

Operating temperatur -40°C to 125°C



| Art.-No. | Type | Inner-Ø D2 | Outer-Ø D1 | Roll length | Order information |
|----------|------------|------------|------------|-------------|--------------------------|
| 2538838 | EcoTherm22 | 40 mm | 49 mm | 20 m | By the meter, up to 19 m |
| 2538839 | EcoTherm60 | 55 mm | 64 mm | 20 m | By the meter, up to 19 m |
| 2538840 | EcoTherm80 | 70 mm | 80 mm | 20 m | By the meter, up to 19 m |

*Specify desired length when ordering

Which insulation hose (EcoTherm) fits to which steam hose (DS)?

EcoTherm22 to DS22

Art.-No. 2538838
Includes: Sold by the meter until 19m*

Art.-No. 2538900
Includes: 2 pcs. O-rings to Eco Therm 22

Art.-No. 2538901
Includes: 10 pcs. O-rings to EcoTherm 22

EcoTherm60 to DS35

Art.-No. 2538839
Includes: Sold by the meter until 19m*

Art.-No. 2539585
Includes: 2 pcs. O-rings to Eco Therm 60

Art.-No. 2539586
Includes: 10 pcs. O-rings to EcoTherm 60

EcoTherm60 to DS60

Art.-No. 2538839
Includes: Sold by the meter until 19m*

Art.-No. 2538902
Includes: 2 pcs. O-rings to Eco Therm 60

Art.-No. 2538903
Includes: 10 pcs. O-rings to EcoTherm 60

EcoTherm80 to DS80

Art.-No. 2538840
Includes: Sold by the meter until 19m*

Art.-No. 2538908
Includes: 2 pcs. O-rings to Eco Therm 80

Art.-No. 2538909
Includes: 10 pcs. O-rings to EcoTherm 80

Accessoires fragrance injection



Fragrance dosing pump

Art.-No. 2560460: 230VAC Fragrance dosing pump



Hose silicone

Art.-No. 2591502 : Hose silicone Ø 6/4 per Meter



Suction hose

Art.-No. 2568956



Injector

Art.-No. 2400529: Injector fragrance Ø 22 mm
Art.-No. 2591270: Injector fragrance Ø 30 mm
Art.-No. 2400530: Injector fragrance Ø 35 mm
Art.-No. 2591269: Injector fragrance Ø 45 mm



Assembly station

At the practical assembly station, the filter cartridge and the perfume pump can be attached and the perfume container safely parked.

Dimensions: W 402 mm, H 600 mm, D 193 mm
Art.-No. 2591019

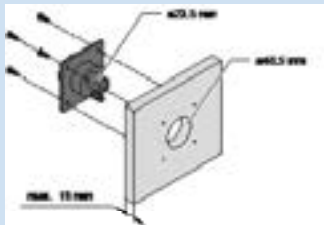
Replacement cartridge:

Art.-No. 2590308: Filter cartridge S
Art.-No. 2590309: Filter cartridge L
Art.-No. 2591018: Filter head

Steam inlet



DDS22 Steam bath nozzle
Small steam bath nozzle for
max. 4kg/h capacity
For steam hose DS22 with
Ø22 mm
Art.-No. 2402732

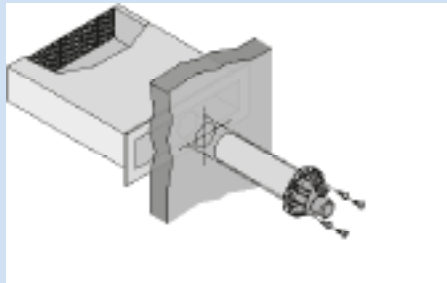


Steam nozzle set W22
fits with steam hose DS22 Ø 22 mm, Art.-No. 2560985

Steam nozzle set W30
fits with steam hose DS60 Ø30 mm, Art.-No. 1119246

Steam nozzle set W35
fits with steam hose DS35 Ø35 mm, Art.-No. 2560986

Steam nozzle set W45
fits with steam hose DS80 Ø45 mm, Art.-No. 1119247



**High quality steel steam
outlet element**
for use with steam nozzle set
W22/W30,
Art.-No. 2591790



Steam Inlet
Steam inlet for the mixing and inserting of steam and fresh
air into the steam room. For a dense steam appearance and
a lower temperature of the inserted steam:

- Mixing tube made of stainless steel V4A with
connections for fresh air and steam
- Diameter 110 mm, Installation length 280 mm
- Cover made of stainless steel V4A 140 x 140 mm with
fixation screws
- Thread for steam hose 1"

Dimensions:
Ø110 mm, installation length 280 mm
Cover 140 x 140 x 22,5 mm with fixing screws and
mounting flange. Art.-No. 2591794

Fans and regulator



Fan

Special 3-stage insertion tube fan for \varnothing 150 mm.
Nom. Voltage: 24V 1~50/6Hz
Current draw: 2.25/2.20A
Power consumption: 40 Watt. Speed / min-1 2760/3200
Type of protection: IP20
Art.-No. 2591409

Tube fan

Multivent MV 100A 220-240V 50Hz 15W for space-saving installation in the tube. Connection for \varnothing 100 mm. Can be used for supply or exhaust air.
Nom. voltage: 230V, 50 Hz
Delivery rate min./max: 150/190 Vm³/h
Type of protection: IP44
Art.-No. 2591828

Temperature sensor

Temperature sensor with integrated safety temperature limiter (STB). The mounting kit for a wall thickness of 40 to 90 mm includes a M20 x 1.5 mm cable gland, threaded sleeve, two O-rings and a flat gasket. Sensor type KTY81-110
TF: 76°C + 0/-10°C
Art.-No. 2558235

Rod temperature sensor for bench heating

or confined space conditions.
KTY81-110 for bench heating
Length: 42 mm x \varnothing 6 mm
Art.-No. 2557225

Blind temperature sensor

Blind stainless steel V4A for temperature sensor with \varnothing 6 mm metal sleeve. Approximately 35 mm outside diameter including grub screw for fixing the sensor element. Mounting hole of cabin lining 14 mm.
Art.-No. 2591801

Temperature sensor for sauna

Temperature sensor KTY81-110 , STB Type SF139R, Temperature range 139° +/-2°C
 \varnothing 55 mm
Art.-No. 2595773



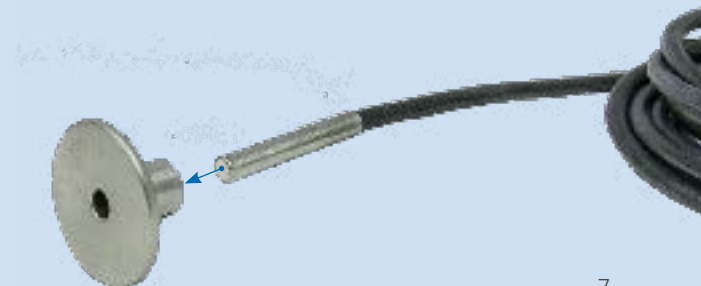
Backflow flap

Made of galvanized sheet steel DN100 für \varnothing 100 mm
Art.-No. 2591829



Electric regulator

1A 230V 50Hz for surface mounting. Speed controller, Continuously adjustable
Art.-No. 2591827



Spa Control Delta



Technical data:

| Condair Spa Control Delta Box | | |
|-------------------------------|--------------------|-----------|
| Nominal power | Sauna | max. 9 kW |
| | Benchheating | 1 kW |
| | Wallheating | 1 kW |
| | Accessoires | 1 kW |
| Dimensions (W x H x D) | 353 x 353 x 107 mm | |
| Net weight | 5,5 kg | |
| Control voltage | 230 V | |
| Heating voltage | 400 V | |
| Type of protection | IPX4 | |

| Application | Variant |
|--|---|
| Steambath | standard |
| Steambath with benchheating | Benchheating |
| Caldarium | Bench and wallheating |
| Rasul | Bench and wallheating |
| Finnsauna | Finnsauna |
| Bio sauna for sauna heater with integrated steamer | Bio sauna (generator and Spa Control Delta) |
| Bio sauna for pure sauna heater, steam produced by ES4-2 | Fin sauna |
| Dual cabin | Fin sauna |

Spa Control Delta

The innovative spa control for simultaneous control of steam bath, caldarium, rasul and different sauna variants such as bio and fin sauna.

It is possible to control various accessories such as light, fragrance, fan, freely configurable relay. It enables managing a steam bath and a fin sauna simultaneously and independently of each other with the same display. Operation is via a modern touch display, which is available in various versions.

Customisable display, you can upload your logo to appear on the screen.

Advantages:

- The controller can control a steam bath and a sauna simultaneously and independently of each other.
- Easy switch between steam bath and sauna on the display.
- Flexible number of displays, one for both cabins or one for each cabin.
- Integrated web server where device settings can be managed.
- Smart Home connection via optional KNX gateway, Modbus integrated as standard.
- Keepwarm function saves energy

Option:

- Art.-No. 5250001: Spa Control Delta Standard
- Art.-No. 5250002: Spa Control Delta with benchheating
- Art.-No. 5250003: Spa Control Delta with bench- and wallheating for Rasul and Caldarium
- Art.-No. 5250004: Spa Control Delta for Finnsauna
- Art.-No. 5250005: Spa Control Delta for Bio sauna
- Art.-No. 2591666: Display cable shielded (50m)
- Art.-Nr. 2595463: Display cable shielded (per meter)

Displays



Omega Spa Display

Art.-No. 2591660: Display with flush-mounted housing
Art.-No. 2591661: Display with surface-mounted housing

Omega Spa Display, waterproof

Art.-No. 2600624: Display with flush-mounted housing, IPX7, SPA Control
Art.-No. 2600626: Display with surface-mounted housing, IPX7, SPA C.

AT4D Spa Display

Art.-Nr. 2604944: Display with flush-mounted housing
Art.-Nr. 2604931: Display with surface-mounted housing

AT4D Spa Display, waterproof

Art.-No. 600627: UP housing (incl. mounting material), IPX7, AT4D
Art.-No. 2600628: AP housing (incl. mounting material), IPX7, AT4D

Display cable

Art.-No. 2591666: Display cable shielded (50 m)
Art.-No. 2595463: Display cable shielded (per meter)

Decoration panels to Omega und AT4D Spa Display

Art.-No. 2590183: Decoration panel steel
Art.-No. 2590185: Decoration panel glass white
Art.-No. 2590186: Decoration panel glass black

Centring frame

Art.-No. 2590188: Centring frame & Seal. Only centring frame and sealing for usage of custom made decoration panel

Gateway

for installation and operation of Modbus, KNX & Amazon Echo (Alexa) interfaces, Art.-No. 2595772)

Remote Display for AT4D

Remote Display AT4D in plastic housing IP 65 (W 170 x H 280 x D 60 mm) for wall mounting. Version for flush-mounting not available anymore.

A three-inch graphic user interface provides easy access to important operating parameters such as temperature, lighting, cabin ventilation and fragrance injection. Remote control up to 8 generators. In hotels, health clubs and spa complexes, you have simple control of steam bath from reception or other remote site.

Art.-No. 2560646

Connection cable must be ordered separately

Art.-No. 2591667: Clamps for shielding (5 pcs)

Mounting sleeve for spots and push-buttons

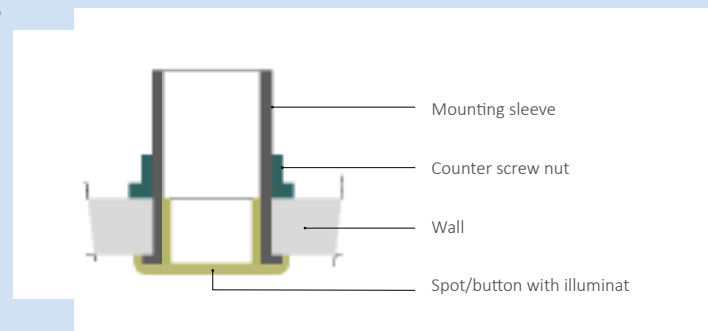


Good to know:

- Step 1: Find the correct mounting sleeve
- Step 2: Select warm white spot, coloured spot or steam bath button
- Step 3: Choose the correct length of the extension cable

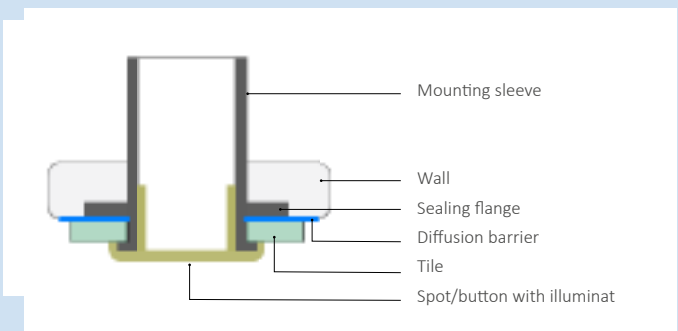
Mounting sleeve for coated GFK/Alu Surfaces:

Mounting hole 42 mm, mounting sleeve \varnothing 42 x 110 mm and nut, total length 113 mm (shortenable)
Art.-No. 2591797



Mounting sleeve for surfaces to be tiled:

For tiled wet rooms / steam baths
Mounting hole 42 mm, mounting sleeve \varnothing 42 x 110 mm and nut, total length 113 mm (shortenable) with sealing flange and 6 screws for fixation
Art.-No. 2591798



LED-Spots and Piezo push button



LED spot warm white

Built-in lamp VA chromed
 Type of protection: IP 65
 LED warm white 1 Watt
 Lense frosted
 Cover Ø60 mm
 Incl. connecting cable 20 cm
 Plug type: JST
 Art.-No. 2591804

LED RGB Spot

Built-in lamp VA chromed
 Type of protection: IP 65
 LED-RGB 3x1 Watt
 Lense frosted
 Cover Ø60 mm
 Incl. connecting cable 20 cm
 Plug type: JST
 Art.-No. 2591806

Push button red

Piezo push button with red ring illumination 24VDC
 Installed in holder/ cover screen inox.
 Chrome plated 60 mm outer diameter
 7 m wire 5 x 0.25 mm² with connector.
 For installation in mounting sleeve Ø42 mm
 Connection wire JST
 Art.-No. 2591795

Push button blue

Piezo push button with blue ring illumination 24VDC
 Installed in holder/ cover screen inox.
 Chrome plated 60 mm outer diameter
 7m wire 5 x 0.25mm² with connector.
 For installation in mounting sleeve Ø42 mm
 Connection wire JST
 Art.-No. 2591796

Extension cable for LED Spots

With plug and coupling JST 4 poles, colour code (white)
 Art.-No. 2591814: Extension cable 1.0 m
 Art.-No. 2591815: Extension cable 1.5 m
 Art.-No. 2591816: Extension cable 2.5 m
 Art.-No. 2591817: Extension cable 5.0 m
 Art.-No. 2591818: Extension cable 7.0 m
 Art.-No. 2591819: Extension cable 15.0 m

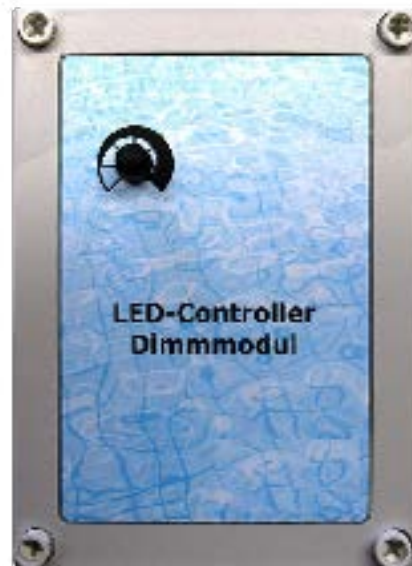
Specify desired length when ordering

Please order the fitting mounting sleeve

LED Controller for RGB and warm white spots

Technical data:

| | |
|-----------------------|------------------|
| Electrical supply | 230V/AC 50-60 Hz |
| Power supply | 42VA/0.4 A |
| Operating temperature | 0 to +50°C |
| Weight | 1,5 kg |
| W x H x D | 13 x 18 x 9 cm |



Good to know:

The settings of the lighting programs are made on the rotary switch. Optionally, it can be controlled with a 4-digit code.

If more than 10 spots are needed, the RGB control can be extended by a „slave“ module.

Controller LED warm white

For max. 1-12 pcs. 1W spots. 1 x converter 350mA LCM-40 constant current.

Incl. poti for dimming on housing
 Power supply cable 2m white, 230V/AC- 1,1A
 7 m cable to spot 1 JST + end plug
 Art.-No. 2591805

Controller LED RGB

15 different light programmes can be chosen by a code switch
 Synchronous colour gradient.
 Dimmable via poti on housing
 Output RGB-LED Spot 350 mA 1-10
 Power supply 230 VAC with plug 230 VAC 1 Ph 50Hz 50W
 7 m cable to spot 1 JST + end plug
 Art.-No. 2591807

Push button plates with flush-mountend housing

Technical data push button plates:

| | |
|-------------------------------------|-------------|
| Supply voltage | 12- 24 VDC |
| Switching power | max. 1 Watt |
| Dimensions 1-fold push button plate | 76 x 109 mm |
| Dimensions 2-fold push button plate | 76 x 142 mm |
| Dimensions 3-fold push button plate | 76 x 175 mm |
| Dimensions 4-fold push button plate | 76 x 208 mm |

Technical data flush-mounted housing:

| | |
|---|----------------------|
| Dimensions housing for 1-fold push-button plate | 96x129x52 mm (WxHxD) |
| Dimensions housing for 2-fold push-button plate | 96x162x52 mm (WxHxD) |
| Dimensions housing for 3-fold push-button plate | 96x195x52 mm (WxHxD) |
| Dimensions housing for 4-fold push-button plate | 96x228x52 mm (WxHxD) |



Good to know:

Please remember to include a tube d25 for laying the push-button cable

Push-button plates:

Dibond button plates with illuminated piezo push-button:
Plates optionally with 1- 4 piezo buttons; blue ring illumination and indentation for name tags:
7 m cable and screws M4x30

- Art.-No. 2591799: Push-button plates 1-fold
- Art.-No. 2591800: Push-button plates 2-fold
- Art.-No. 2591808: Push-button plates 3-fold
- Art.-No. 2591809: Push-button plates 4-fold

Push-button housing:

Flush-mounted housing for installing the push-button panels in building boards, dry- or masonry walls.
Material: polystyrene (PS), black. Supplied with a protective cover made of EPS to define a clear tile edge and to protect against contamination of the interior.

- Art.-No. 2591810: Housing 1-fold, Flush-mounted
- Art.-No. 2591811: Housing 2-fold, Flush-mounted
- Art.-No. 2591812: Housing 3-fold, Flush-mounted
- Art.-No. 2591813: Housing 4-fold, Flush-mounted

Mounting material



Connector pieces
stainless steel
DS connector piece
Ø30 to Ø22 mm
Art.-No. 2591273

DS connector piece
Ø35 to Ø30 mm
Art.-No. 2591272

DS connector piece
Ø45 to Ø22 mm
Art.-No. 2560325

DS connector piece
Ø45 to Ø35 mm
Art.-No. 2591271



Connector piece bow
Nickel-plated copper pipe
with two clamps
Bow Ø22 mm
Art.-No. 2402772

Bow Ø35 mm
Art.-No. 2402771



Connector piece bow
Stainless steel
Lieferung without clamps
Bow Ø30 mm
Art.-No. 2591252

Bow Ø45 mm
Art.-No. 2591274



Y- Hose connector piece
Stainless steel
DS Y- Hose connector piece
3 x Ø22 mm
Art.-No. 1103447

DS Y- Hose connector piece
1 x Ø45 mm 2 x Ø35 mm
Art.-No. 2563944

DS Y- Hose connector piece
3 x Ø45 mm
Art.-No. 1101164



T-Piece
Copper tube nickel plated
T-piece Ø22 mm
Artikel No. 2402775

T-piece Ø 35 mm
Artikel No. 2402773

T-piece Ø 35/22 mm
Artikel No. 2402774



Hose connection
Hose connection Ø22 mm
Art.-No. 2553669

Hose connection Ø 35 mm
Art.-No. 2402776

Hose connection Ø30 mm
Art.-No. 2591020

Hose connection Ø45 mm
Art.-No. 2569589



Hose reduction

Hose reduction Ø35 to Ø22 mm
Art.-No. 2401133



Condensate trap

Steam hose connection incl. condensate trap
for ES4 and AT4D
Art.-No. 2560515 for 5/8 kg/h
Art.-No. 2560516 for 15kg/h
Art.-No. 2560517 for 23/32kg/h
Art.-No. 2560954 for 45/65kg/h



Condensate draining

Condensate draining DS22 Ø22/31 mm, Art.-No. 2569286
Condensate draining DS35 Ø 35/46 mm, Art.-No. 2553793
Condensate draining DS60 Ø30/40 mm, Art.-No. 2592472
Condensate draining DS80 Ø45/57 mm, Art.-No. 2588469



Funnel-Syphon

Funnel-Syphon SET Viega
DN40
Art.-No. 2595474



Condensate hose

Condensate hose KS10, 12/8
mm up to 50 m roll length.
Specify desired length when
ordering
Art.-No. 1103350



Inlet Filter Z261

Art.-No.1100416
Fast closing block valve

Technical data:

| | |
|-------------|--------------------|
| Connections | Inlet/Outlet 3/8"i |
| Material | Filter frame brass |
| Housing | PA6 |
| Fabric | Pa 6.6 |
| Mesh size | 125µ |
| Thread Ø | 80µ |

Water treatment unit RO-H



Water treatment units RO-H and RO-A:

Reverse osmosis (RO) is an effective and economic way of removing minerals from water. By removing the minerals from a humidifier's supply water, the limescale that builds up in the system is virtually eliminated. This results in a much lower level of required maintenance in all types of humidifier as well as in reduced energy consumption in steam humidifiers. For a steam capacity of up to 16 kg for the Condair Omega and up to 10 kg for the Condair Omega Pro, the RO-H system is suitable. For higher steam capacities there is the efficient Condair water treatment system RO-A.

Water treatment unit RO-H

Voltage: AC 110-240, 50-60Hz, 75W
Pure water output : 5°C 20l/h
Max. pure water production: 1.0l/min
Inlet water pressure: 0..6...3.5bar
Water inlet temperature: 5–25 °C
Salt retention rate: 95- 98 %
Housing dimensions:
Height: 470 mm, Width: 338 mm, Depth: 250 mm
Art.-No. 2600217: Condair RO-HM

Option:

Art.-No. 2600081: Filter set for water supply to RO-H
Art.-No. 2600239: RO-H Leakage pan
Art.-No. 2600083: External leakage sensor, set
Art.-No. 2600257: RO-H armored hose set
Art.-No. 2600230: Adjustable pressure reducer 1/2"
BSF RBM 3bar

Water treatment unit RO-A



RO-A with cover, please order separately



external Display

Water treatment unit RO-A

Voltage and power:

230V/1~/50...60Hz.

Pure water output at 5°C: 40 l/h

Pure water output at 15°C: 70 l/h

Water inlet pressure: 1,5- 6 bar

Water inlet temperature: 5- 20°C

Salt retention rate: 95- 98 %

Housing dimensions:

Height: 815 mm, Width: 572 mm, Depth: 485 mm

Net weight: 54.0 kg

Art.-No. 51001: Condair RO-A 40

Art.-No. 51503: Condair RO-A 40 CH

Art.-No. 51507: Condair RO-A 40 UK

Art.-No. 51499: Condair RO-A 40 UL inclusive cover

Other sizes on request

Cover

Art.-No. 51007: Cover Condair RO-A

Options:

Art.-No. 51005: External display (with 4m cable)

Art.-No. 51498: External display (with RFI and 4m cable)

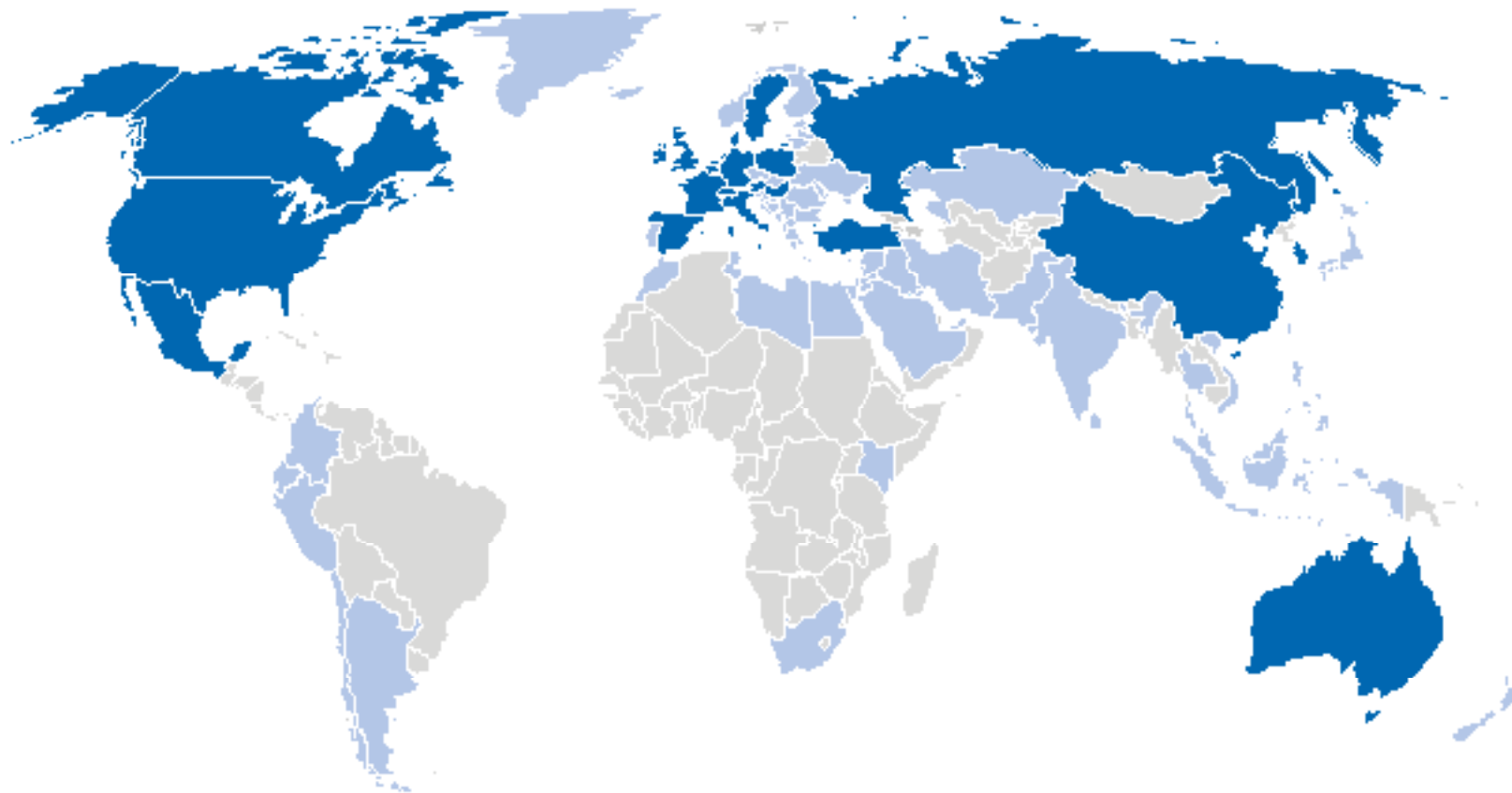
Art.-No. 51513: Condair RO-A Leakage, Leak Sensor

Art.-No. 51514: Double filter unit 20"

Art.-No. 51497: SoftCab 25 DR water softener

Art.-No. 50060: External Pure water tank 120 L

Art.-No. 8006: Salt briquettes 25kg



Condair Group AG
Gwattstrasse 17, 8808 Pfäffikon/SZ
Tel. +41 +41 55 416 61 11
ch.info@condair.com, www.condair.ch

Fotos: Condair AG, Fotolia and Shutterstock

